

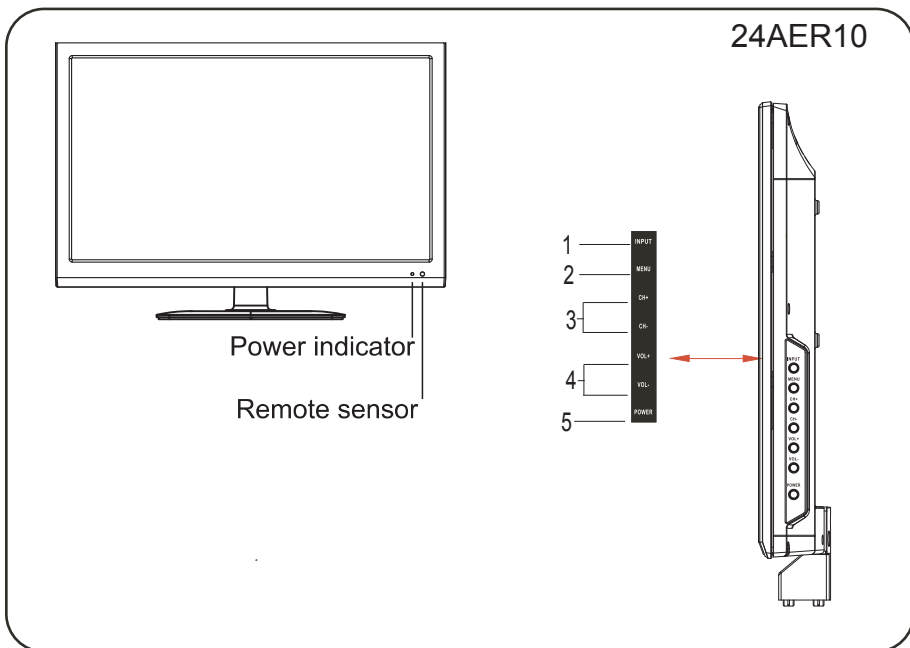
Quick Start Guide

Safety

This product is made to meet high standards. However the user must ensure the following: Check the cabinet and casing for physical damage, if it is broken, contact your supplier. Do not place in a damp or humid place such as a bathroom, or by a swimming pool. If the set is to be used in a kitchen, place in an area away from steam or cooking fumes. Place in a secure, level location near a main power source. For further safety instructions, refer to the User Manual.

Getting Started

Identify Your TV Controls

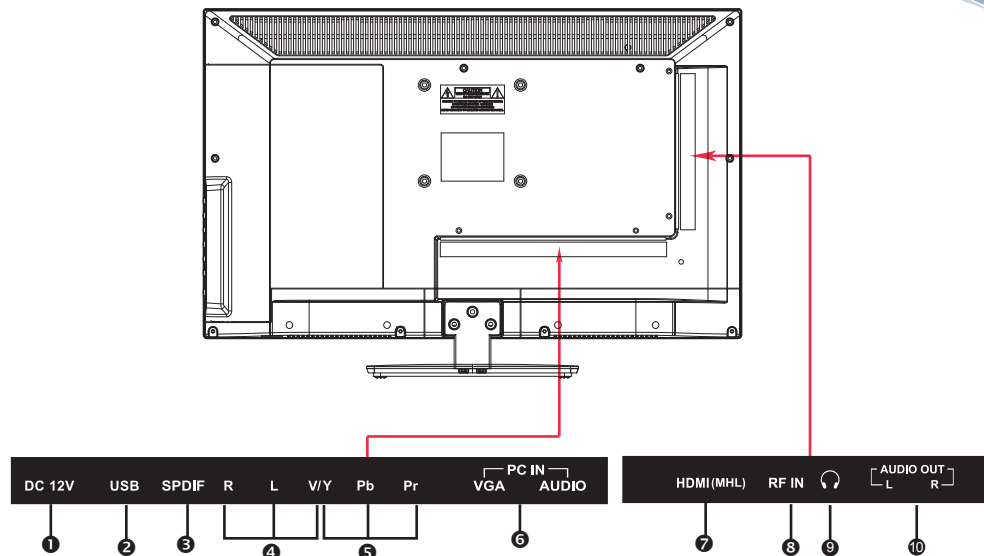


Control Panel Function

- | | |
|-----------|--|
| 1. INPUT | Display the input source menu. |
| 2. MENU | To display main MENU. |
| 3. CH-/+ | In TV mode, press CH-/+ to change the channel up and down. In MENU, press CH-/+ to select items in MENU. |
| 4. VOL-/+ | Adjust sound level. In MENU, adjust the item that you selected. |
| 5. POWER | Press this button to turn the unit ON from STANDBY mode. Press it again to turn the set back to STANDBY. |

Terminals

24AER10



1. DC 12V IN

2. USB Input Port

3. SPDIF

4. AV Input

5. Component Y Pb Pr Input

6. PC IN - VGA Input

PC Audio Input

7. HDMI Input

8. RF Input

9. Headphone Jack

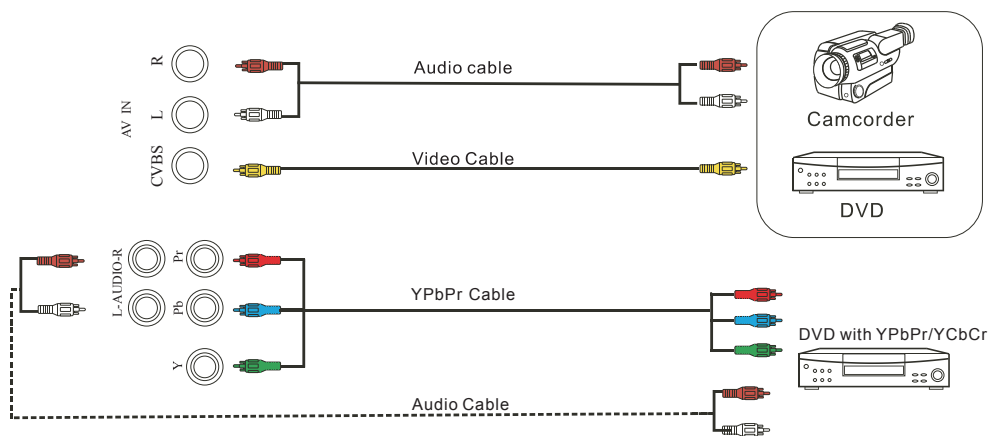
10. L / R Audio Out

Connecting Your TV Set

Notes about connection

Carefully check the terminals for position and type before making any connections. Loose connectors will result in image or color problems. Make sure that all connectors are securely inserted into their terminals. When connecting an external device, turn off the power of the main unit first to prevent any possible damage. Always refer to the operating manual of your external device and use the best connections available on your equipment. Remember to select the proper input source on your TV set enjoy the desired program. All cables and connections shown are for reference only. The accessories may differ by model.

Connecting a DVD player or a Camcorder



To play playback a DVD or Camcorder

1. Turn the power on both the TV and player.
2. Select the proper input source on your TV set.
3. Open the disc tray, insert the disc and close the tray to initiate the disc.
4. When the movie or file menu appears, using your DVD's remote control, highlight your selection using direction keys, then press the ENTER button.

Note

The operations of the DVD or Camcorder may be different, Please read the operating manual of your DVD or Camcorder to confirm operation.

Using Your TV Set

TV operation

1. Turn the TV on

- After the AC power has been connected, a red indicator light will show on the front of the set, and the set will be in standby mode.

2. Auto Channel Search

By using the Auto Channel Search function you can program in all available channels. We recommend using auto search when you use this TV for the first time.

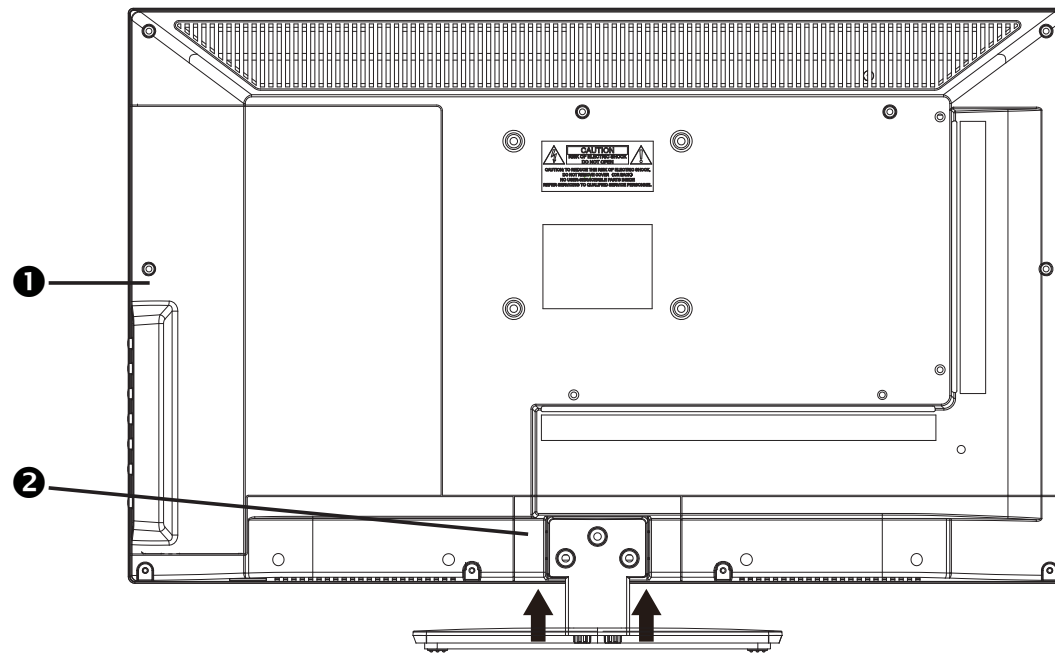
1. Press INPUT button to select TV for input source.
2. Press MENU button to enter the main menu.
3. Press ◀ ▶ buttons to select channel menu, then press ENTER button to enter.
4. Press ▲ ▼ buttons to select Auto Scan.
5. Press ENTER button to start searching, press EXIT button to finish auto search.

3. Customize your own settings

1. Press MENU button to enter the main menu.
2. Press ◀ ▶ buttons to select OSD menu, then press ENTER button to enter.
3. Press ▲ ▼ buttons to select the OSD items.
4. Press ENTER button to enter and adjust the value or setting of each item.
5. Press MENU button to return the previous menu, press EXIT button to exit OSD menu.

For more information. Please refer to the User Manual.

- 1 Place the TV set on soft cloth or cushion with face down.
- 2 Place the neck in position as shown ,then insert 3 screw (provided)into the screw holes and tighten.



Wall Mount Installation

(For reference only)

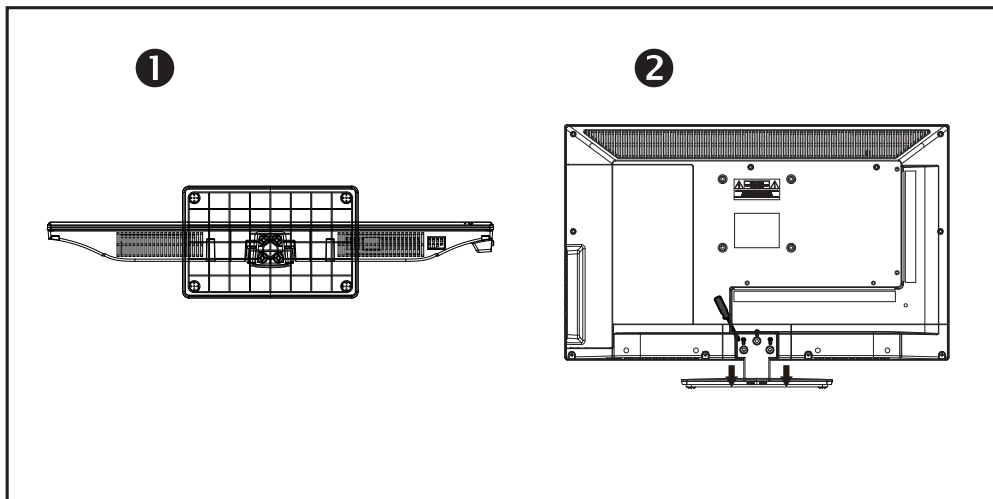
Wall mount items(sold separately)allow you to mount the TV on the wall.

For detailed information on installing the wall mount, see the instructions provided with the Wall Mount items.Contact a technician for assistance when installing the wall mounted bracket.

Legend is not responsible for any damage to the product, property or injury to yourself or others if you elect to install the TV.

Do not install your Wall Mount Kit while your TV is turned on. It may result in personal injury due to electric shock.

Before install the Wall Mount, the screw should be removed as below.



NOTE:

Mounting interface dimensions(100mm x100mm)



* Screw Size:M4×8mm

Universal Remote Code

To operate this TV using the remote control provided by your Cable/Satellite provider, follow the programming instructions included with the providers' remote control and input the following codes when prompted:

- For Comcast or DirecTV remote controls, input the code- 10030.
- For AT&T (U-verse) remote controls, input the code- 1043.
- For RCA Universal Remote Controls, input the code- 0030.
- Remote Code: DISH 21.0 IR/UHF PRO(506).